



## Twin Motion LED Sensor

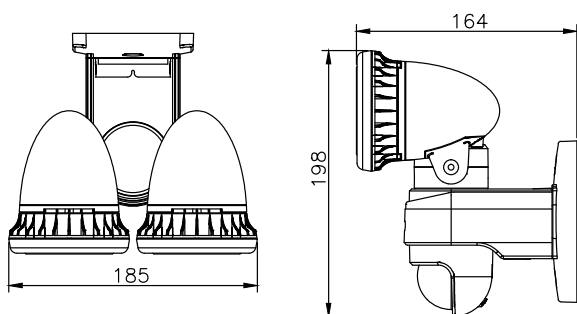
The Philips LED motion sensor incorporates the latest in lighting technology with practical and user friendly features, including adjustable beam angles and sensor timer.

Designed as a total fit and forget solution, the LED motion and daylight sensor is the complete package with low energy usage and extra long life.



### Features and Benefits

- Low 2 x 7.5W LED adjustable beam angles
- Bright 5,000K colour temperature
- Up to 30,000 hours lifetime
- IP44 rated for outdoor use
- Powerful 1,000 lumens light output



Product ID	L (mm)	W (mm)	H (mm)
EH313L	164	185	198

Dimensions in mm (Nominal)

### TWIN MOTION LED SENSOR

Family Name	Twin Motion LED Sensor	Dimmable	PSU (Fixed output)
Model	EH313L	Installation	Wall Mounted
Lumen/ Watt	EH313L - 1000lm/ 15W	IP rating	IP44
Lamp Colour	5000K	Weight	0.80kg
Colour Rendering Index (CRI)	80	Colour of housing	Black
Flex and Plug	Not included	Application	Residential Security
*Lifetime (L70)	30,000 hrs	Accessories	n/a
Unified Glare Ratio (UGR)	n/a	Suspension Height - min/max	NA
Optics	110D	Maximum Run Length	NA
Driver	Integrated driver		

### COMMERCIAL CODE

EH313LLED

### I2NC

919023001234

### DESCRIPTION

EH313L LED Twin Motion Sensor